

100ICW8

Product Data Sheet



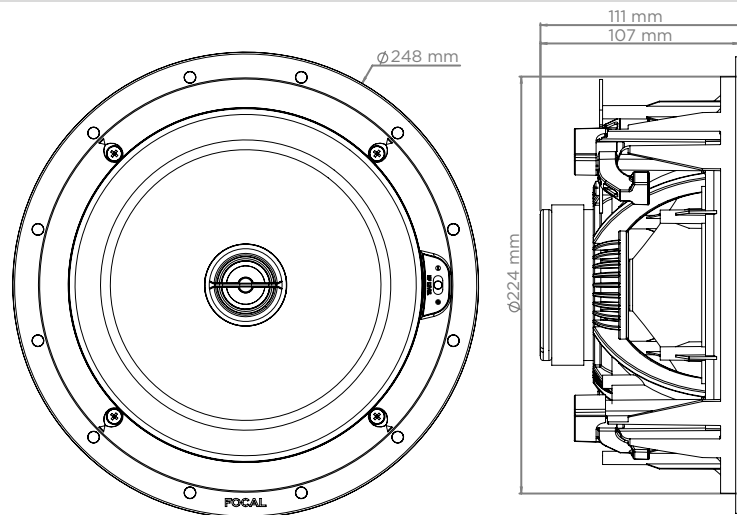
Key Points

- Product designed and developed in France by Focal
- Compact product with shallow mounting depth
- For in-ceiling or in-wall loudspeakers (1 product, 2 uses)
- Possible to connect two loudspeakers to the same amplifier output
- Ready-to-paint grille

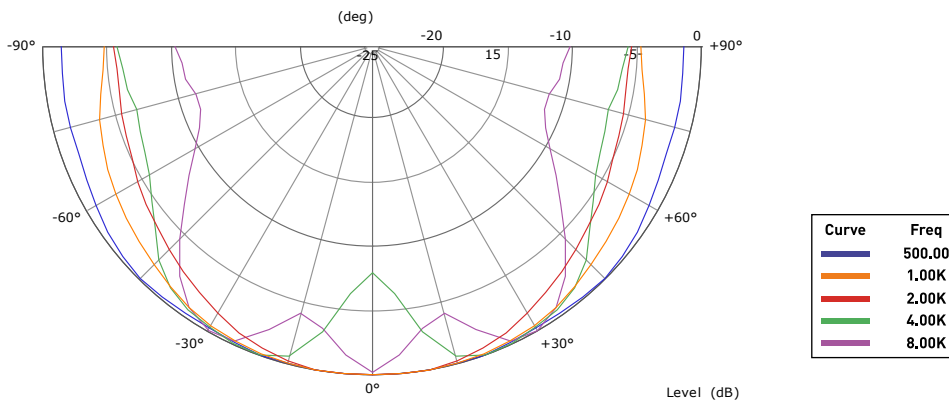
Technical Specifications

Type	in-wall/In-ceiling 2-way coaxial
Drivers	8" (21cm) Polyglass Midbass. 1" (25mm) Al inverted dome Tweeter
Sensitivity (2.83V/1m)	90dB
Frequency response (+/-3dB)	53Hz-23kHz
Low frequency point (-6dB)	40Hz
Nominal impedance	8Ω
Minimal impedance	6,9Ω
Recommended amplifier power	25-150W
External dimensions (Ø/Depth)	9 ^{49/64"} x 4 ^{3/8"} (248x111mm)
Cut-Out diameter	8 ^{13/16"} (224mm)
Depth from wall	4 ^{7/32"} (107mm)
Net weight (with front grille)	3.86lbs (1.75kg)
Packing dimensions (WxDxH)	12 ^{3/16"} x 12 ^{3/16"} x 7 ^{1/4"} (310x310x185mm)
Total weight (with packaging)	4.73lbs (2.60kg)

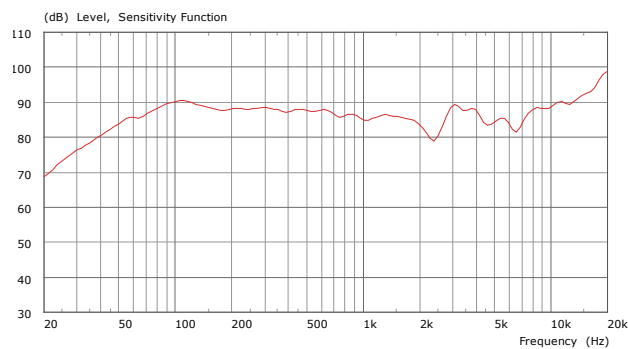
Dimensions



Measurements Directivity



Frequency Response



100ICW8 Speaker level Calculation Table

Power/Distance	1 m	2 m	5 m
1 W (2,83 V)	90 dB	84 dB	76 dB
5 W (8,94 V)	100 dB	94 dB	86 dB
10 W (12,6 V)	103 dB	97 dB	89 dB
20 W (15,5 V)	105 dB	99 dB	91 dB

Summary	125 Hz	250 Hz	500 Hz	1kHz	2kHz	4kHz	8kHz
SPL (2.83 V/1 m) (dB)	91	89	89	86	85	88	89
Opening Angle at -6dB	180°	180°	180°	180°	180°	130°	100°