

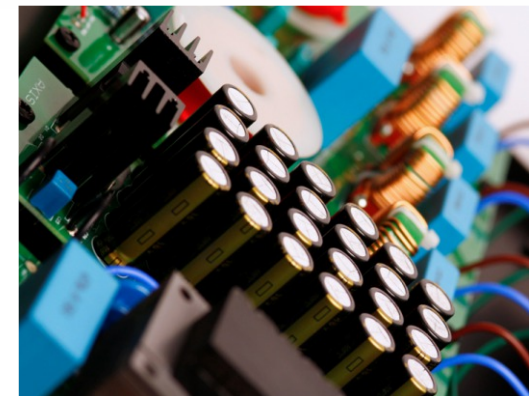
ISOL - 8

Isolate, *ī SŌ-lāt*, v.t. to render free from external influence

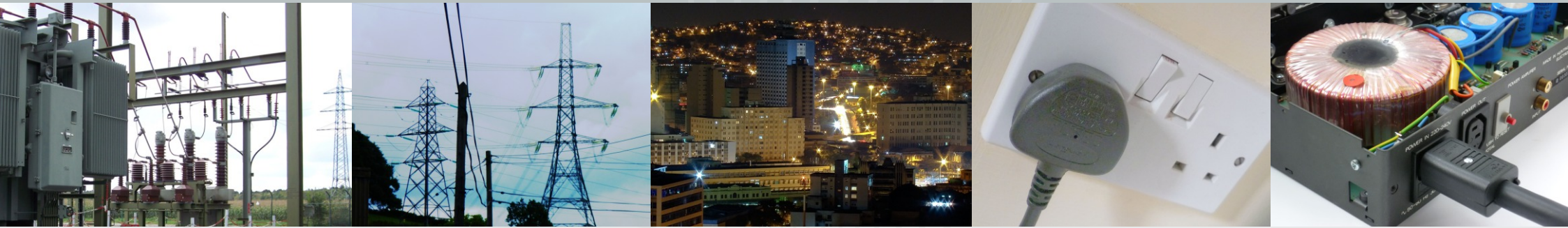
MINISUB WAVE MINISUB AXIS

“...it will allow your hi-fi to properly perform to its true potential, quite possibly for the first time.”

MiniSub Wave. Paul Rigby, Hi-Fi World



Power: The Primary system component



Power is the primary component, it is the foundation on which your system is built. The quality of the mains supply is the first important issue. Mains borne noise from connected appliances, DC components, harmonic distortion and RFI are all introduced to the grid by other users, ever present at your wall outlet. How this noise affects your equipment is complex and down to many factors and the mains input of your equipment is not where the problem ends. The second issue is the quality of the power supplies within your system's components. These are inevitably not perfect and have a major influence on how your system performs in the real world.

Let's look more closely at the linear and switching power supplies we find in any system component. We see transformers that are able to pass energy in either "direction" over a broad range of frequencies dependent on their design and manufacture. Diode rectifiers create noise as current is pulled hard in packets from the supply to charge the main reservoir capacitors. A typical power supply actually generates noise which must be suppressed. There is also local noise generated by the working circuits themselves. Any attempt to filter all this noise by the internal power supplies will be only partially successful.

Why? Because real world does not even closely approach theoretical ideals. The electronic components used in manufacture to try and deal with these problems are not perfect. For example any capacitor has load and temperature related effects, equivalent series resistance, inductance, and thus self resonance too; all of which conspire to reduce their effectiveness and cause interaction with other circuit elements in unpredictable ways, especially at radio frequencies. Subject even the best equipment to scrutiny and inevitably you will find it has been built to a price. It will have a power supply that has partial transparency to external electrical noise, elements that actually make noise, and finally active circuits that are vulnerable to noise to some degree.

This is where ISOL-8's expertise provides substantial opportunities to release performance through mains conditioning. Performance that has been lost to real world compromises in the design and manufacture of your system; providing a firm foundation of clean power.

A classic reinvented

The MiniSub has always been at the heart of ISOL-8, delivering great power conditioning performance with outstanding value for money.

The thousands of satisfied MiniSub owners across the world proved that it was going to be a difficult act to follow. But we have done it. Many of the technologies found in the flagship ISOL-8 SubStation family are now available in the all new MiniSub Wave and MiniSub Axis.



Both the MiniSub Wave and MiniSub Axis share the same layout, the MiniSub Axis offering the addition of DC blocking.

They both retain the separate filter stages for each source outlet that made the original such a ground breaking product.

This pioneering key feature tackles system component cross contamination, stopping mains borne noise from one system component affecting others.

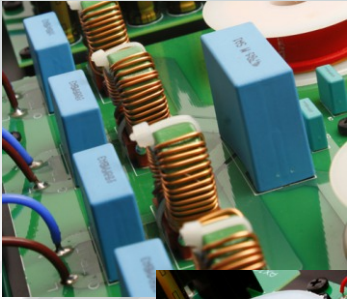
A five year guarantee* (UK only) backs up our commitment to providing world leading power conditioning solutions.

“...it managed to paint a widescreen soundstage that encouraged subtle upper midrange details but, unlike some cheaper power conditioners, it did so without cutting into the resident dynamics.”

MiniSub Wave. Paul Rigby, Hi-Fi World

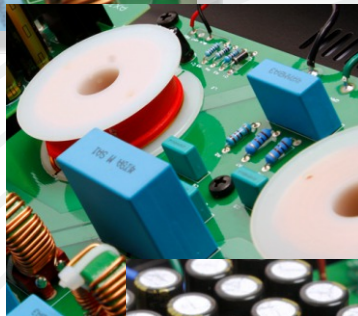
Technology

ISOL-8's next generation of MiniSub brings many of the features found in our flagship SubStations to a wider audience, delivering a class performance that punches well above its weight.



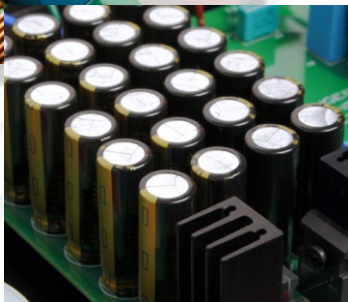
Multiple Filter Sections:

Each system component is not blameless and generates significant mains noise itself. By employing separate filters for each outlet, external noise and noise generated *from within the system* are both blocked. Each filter section can then be designed for its dedicated load and cross contamination from one component to another reduced. The optimum solution.



Transmodal Filtering:

All mains filters are not created equal. ISOL-8 Transmodal filters are designed to combat all major types of transmitted electrical noise, both differential and common mode. Asymmetrically present in Live and Neutral conductors, differential mode noise is costly to effectively attenuate and is often simply ignored by many other mains conditioners.



Axis DC Blocking (Minsub Axis only):

Any mains waveform that is not symmetrical in energy content will contain a DC voltage component. The AC transformers fitted to your equipment's power supply are compromised by DC, partially saturating their magnetic circuit. The ISOL-8 Axis circuit eliminates this common mains problem, suppressing acoustic hum and liberating system performance.

Spike and Surge Protection:

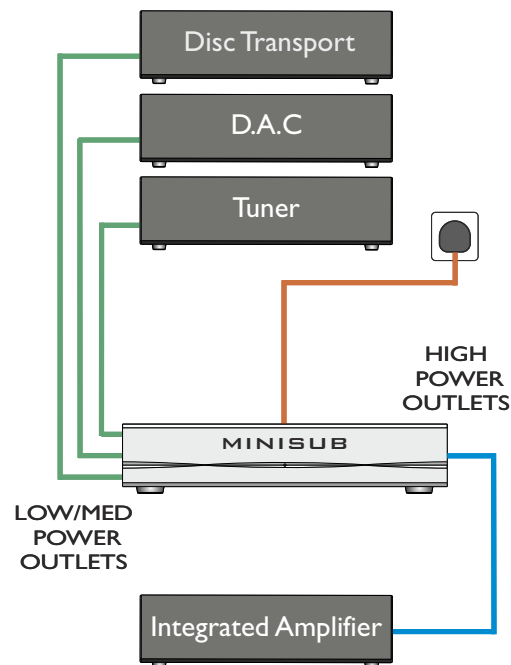
The mains can exhibit short term voltage spikes and surges. These events can cause damage to unprotected components. ISOL-8 protects your valuable investment with an energy absorbing network, clamping dangerously high voltage peaks so you can enjoy peace of mind.

For further details see the technical sections of our web site or click on the links on the headings.

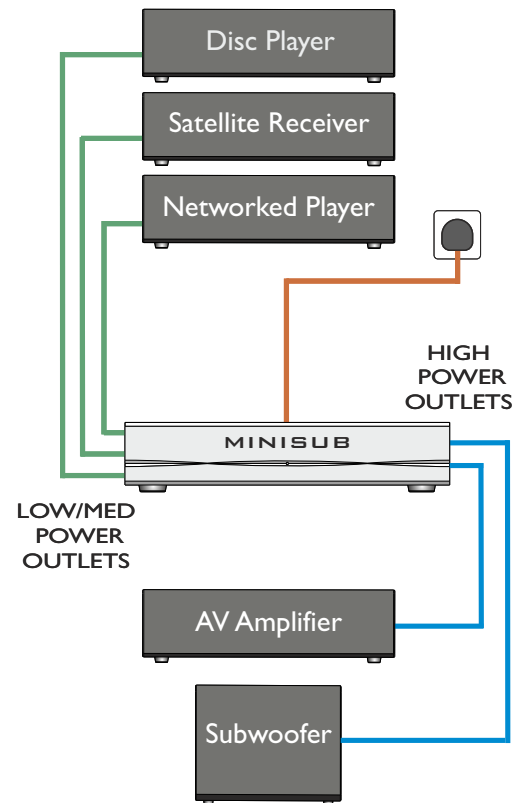
Flexibility

The Minisub Wave and MiniSub Axis has the power and flexibility to supply, protect and effectively condition a very wide range of systems.

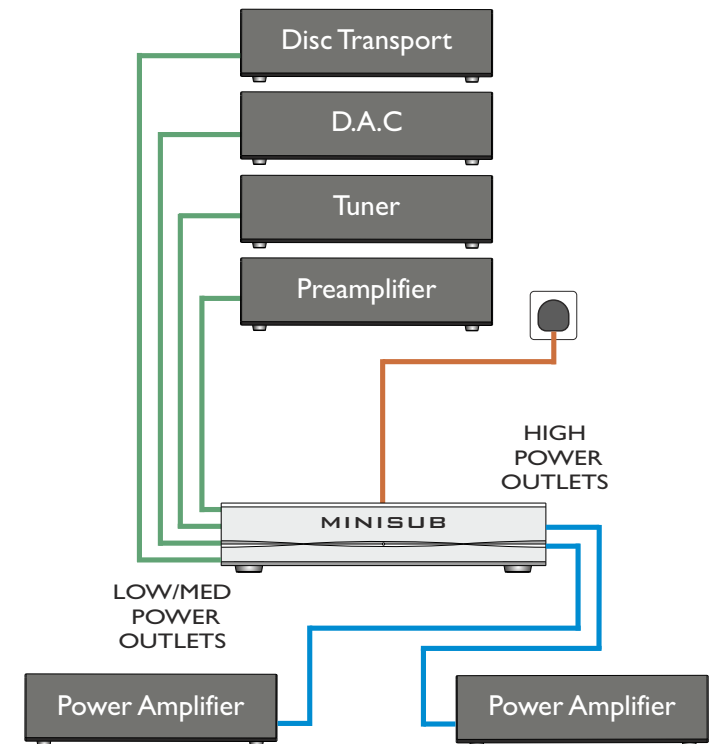
System Example 1



System Example 2



System Example 3



MiniSub Wave

The MiniSub Wave is ideal for conditioning an entire system. Four outlets for source components each have individual filters, now with Transmodal topology, to combat noise cross contamination. Two high power outlets are cleaned by an all new high current filter. Under the cover are carefully auditioned premium components including Evox capacitors, OFC Mundorf inductors, and custom ISOL-8 chokes.

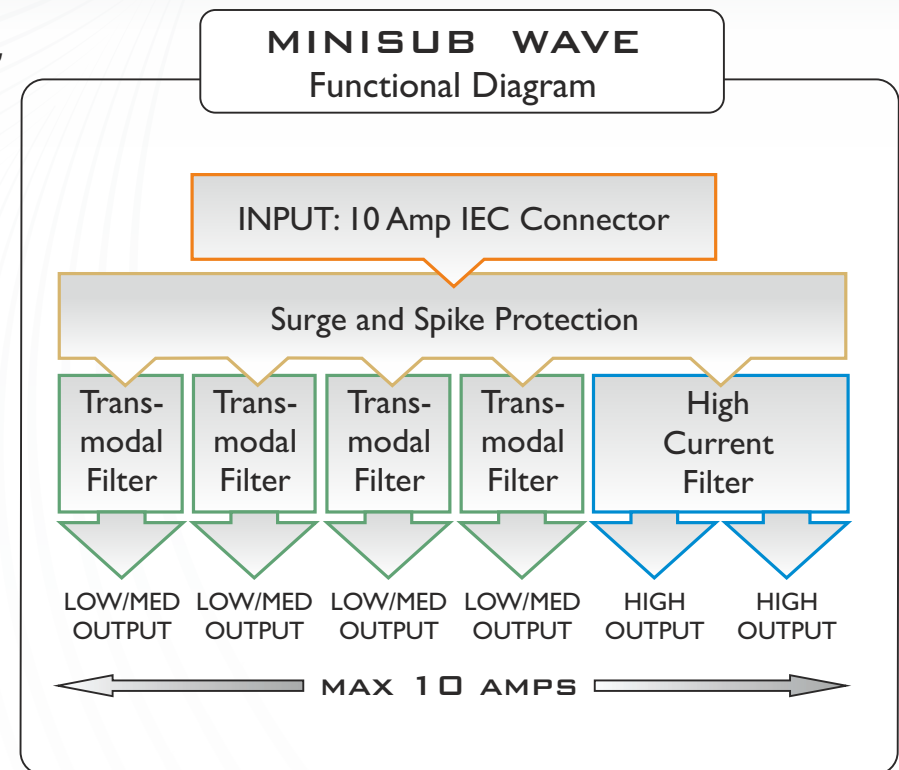
The MiniSub Wave is the ideal solution to start seriously upgrading your power supply, liberating system performance lost to the negative effects of noise on the mains supply.

"...provides a significant aural improvement to your music"

MiniSub Wave. Paul Rigby, Hi-Fi World



click logo to read the review



MiniSub Axis

The MiniSub Axis shares its basic topology with the MiniSub Wave, but additionally features Axis DC blocking. ISOL-8's Axis circuit stops any DC offset commonly found on the mains supply from affecting your equipment's power supply, reducing acoustic noise and eliminating any DC related performance degradation.

Covering all bases with its comprehensive specification, the MiniSub Axis makes a real step forward in the battle against compromised mains power, helping your system to deliver its full potential every day.

